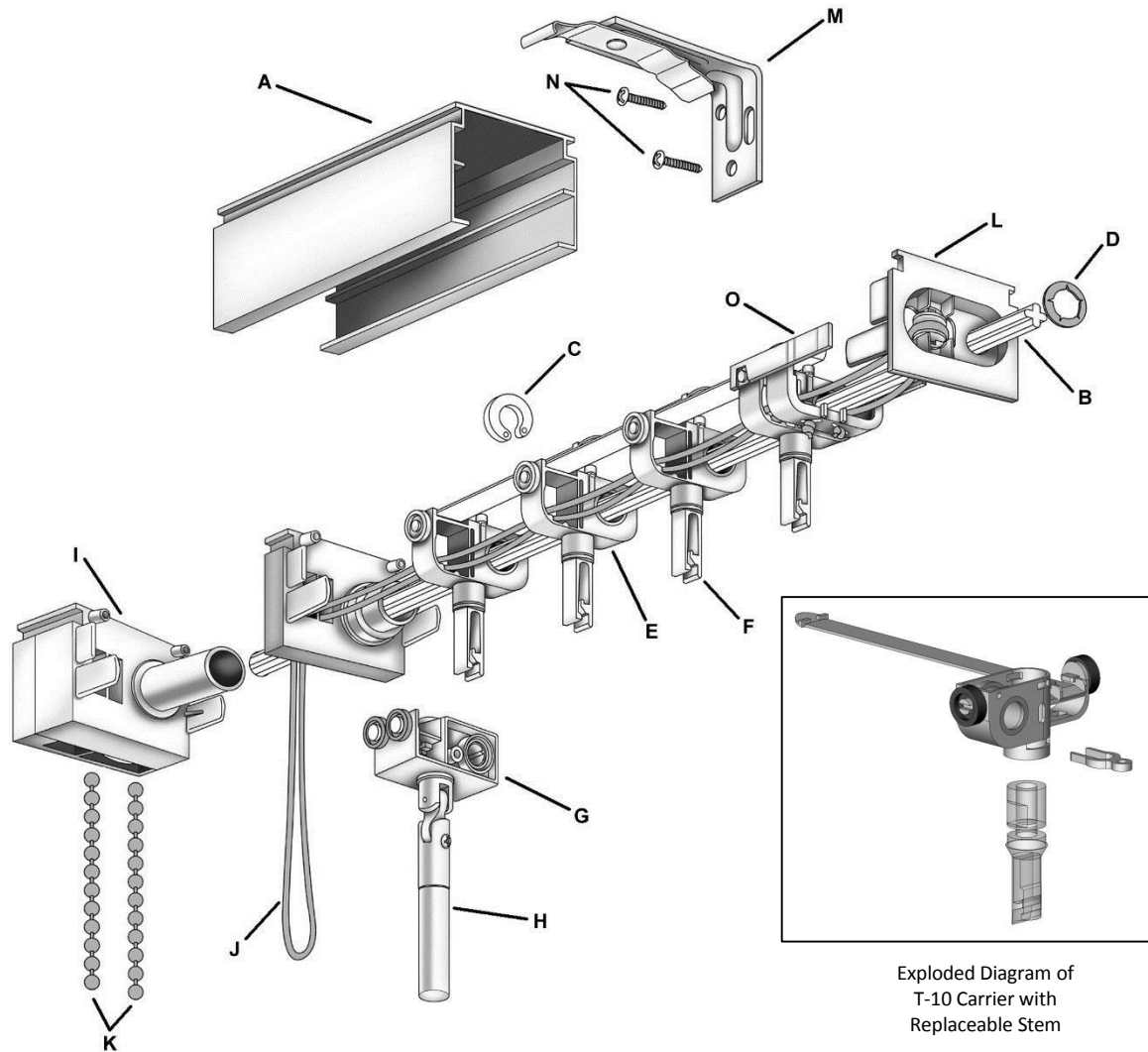


T-10 4 PRONG VERTICAL BLIND SYSTEM



Exploded Diagram of
T-10 Carrier with
Replaceable Stem

arts:

- | | |
|------------------------------------|--|
| A) Headrail – Medium Wall Aluminum | I) End Control |
| B) Pinion Rod (Tilt Rod) – 4 Prong | J) Nylon Cord |
| C) Stop C Clip | K) Chain #10 N.P.S. (Nickel Plated Steel) |
| D) Push Nut | L) Idle End |
| E) Discovery Carrier | M) Installation Bracket with Ceiling Clamp |
| F) Carrier Stem | N) Installation Screws |
| G) Wand Control | O) Cord Drive Runner (Master Runner) |
| H) Wand | |

System Features:

- 4-Prong Pinion Strap System
- Self-Aligning Wheeled Carrier with Replaceable Stem
- Self-Lubricated Acetal parts
- Reinforced Strap between Carriers

Headrail Options:

- T-10 Headrail = Cord & Chain Control
- T-10 **All-Safe** Headrail = Wand Control (All-Safe)

16301 NW 49th Avenue • Miami, FL 33014

Ph: 305.623.8302 • Fax: 305.624.0714 • Nat'l & FL. Watts: 800.759.5959

email arabel@arabel.com • <http://www.arabel.com>

T-10 Vertical Blind Headrail System

Headrail:



- Available in White or Ivory baked enamel or clear Anodized
- Aluminum Alloy T5 – 1 3/4" x 1 1/4" high
- Wall thickness – 0.035", ± 0.010"

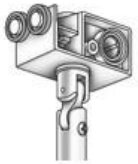
Controls:

Cord & Chain Control Option



- Reduction control is made of acetal plastic which allows for precise control of light using #10 N.P.S. chain
- End controls are covered to enclose sprockets
- Traverse cord roller allows extended cord life and ease of operation

Wand Control Option (All- Safe)



- Equipped with a left and right idler end which holds the tilt rod and covers both ends of the headrail
- Control made of acetal plastic with a reduction gear
- Firmly encircles the tilt rod which provides smooth rotation

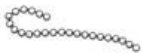
Carriers:



- Molded in acetal plastic with strap links attached
- A self-aligning carrier feature allows uniform rotation
- Two independent self-lubricating wheels for easy traversing
- Rotation of the louver is controlled by the precision-molded double worm pinion gear
- Carrier stem is round and constructed from polycarbonate to ensure long lasting durability.

Rotation:

Cord & Chain Control Option



- #10 N.P.S. (Nickel Plated Steel) chain
- 4-prong tilt rod is made of extruded aluminum
- Tilt rod passes through all the louver carriers, providing rotation to each louver by means of a precision-molded double worm pinion gear system

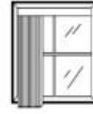
Wand Control Option (All-Safe)



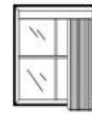
- Provides 180° rotation to each louver simultaneously through a gear system in the control housing, turning the 4-prong tilt rod

Stacking:

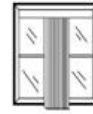
- One Way Draw (Left or Right)
- Split-Draw (Center Opening)
- Center Stack (Side Opening)
- Blind traverses by means of a synthetic traverse cord or wand control pull



Left Stack



Right Stack



Center Stack



Center Split

Louver Spacing:

- Plastic strap link system
- Normal louver spacing has a 3/8" overlap
- Available in 2" and 3 1/2" louvers

Mounting Hardware:

- A variety of installation clips and brackets are available



Size Recommendations:

- Maximum Width – 192"
- Maximum Drop – 144"

16301 NW 49th Avenue • Miami, FL 33014

Ph: 305.623.8302 • Fax: 305.624.0714 • Nat'l & FL. Watts: 800.759.5959

email arabel@arabel.com • <http://www.arabel.com>